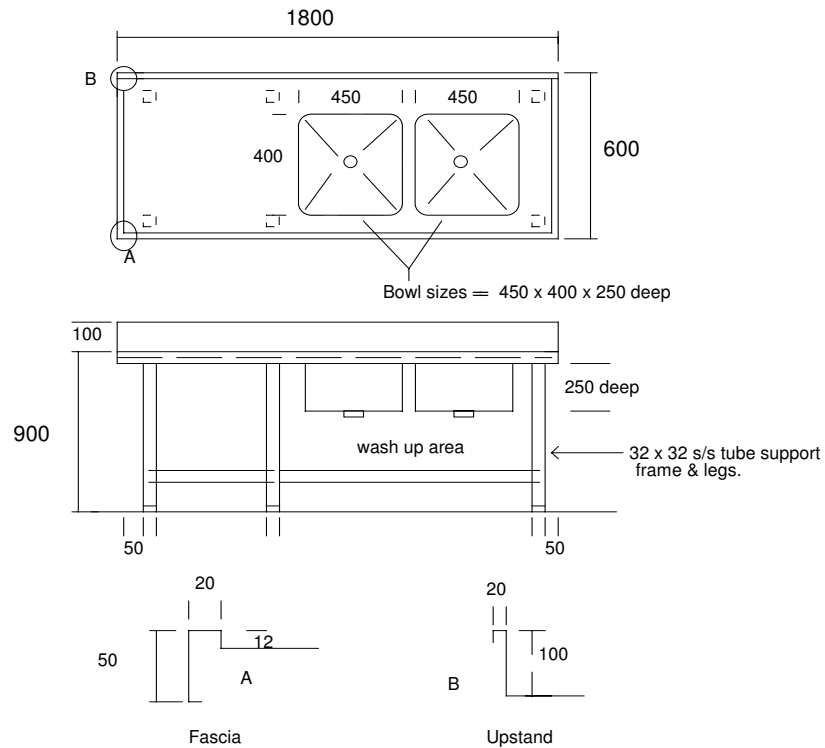


National Stainless Steel Pty Ltd
27 Lincoln street Minto NSW 2566
Ph 9820 3708 Fx 9820 3908

2006

Architecturally designed benching
Example only shown
Product Code: NSSADP



Lengths, Widths , Depths Of benching & bowls
Made to Customer requirements.
Material: 1.2 to 2mm grade 304 stainless steel.
Available in grade 316 to suit laboratory applications